



**INVITATION TO BID
FOR THE
NAGA CITY GENERAL HOSPITAL STEEL
RAMP AT NAGA CITY GENERAL HOSPITAL
COMPOUND, BGY. BALATAS**

1. The City Government of Naga, intends to apply the sum of Seven Million Fifteen Thousand Five Hundred (P 7,015,500.00) Pesos, being the Approved Budget for the Contract (ABC) for the construction of the following project:

Contract Reference Number	Name of Project and Location	Approved Budget for the Contract (ABC)	Contract Duration (calendar days)	Equipment Required	Source of Fund	Cost of Bid Documents
009132-2023-04	Naga City General Hospital Steel Ramp at Naga City General Hospital Compound, Bgy. Balatas	7,015,500.00	60	backhoe excavator 0.80cu.m., welding machine, cutting outfit with accessories	LDRRMF	10,000.00

Bids received in excess of the ABC shall be automatically rejected at bid opening.

2. The City Government of Naga now invites bids for the above Procurement Project. Completion of the Works is required within the required contract duration. Bidders should have completed a contract similar to the Project. The description of an eligible bidder is contained in the Bidding Documents, particularly, in Section II (Instructions to Bidders).
3. Bidding will be conducted through open competitive bidding procedures using non-discretionary “pass/fail” criterion as specified in the 2016 revised Implementing Rules and Regulations (IRR) of Republic Act (RA) No. 9184.
4. Interested bidders may obtain further information from City Government of Naga and inspect the Bidding Documents at the address given below from 8:00AM to 5:00PM.
5. A complete set of Bidding Documents may be acquired by interested bidders on Monday, October 23 to November 20, 2023 from the BAC Secretariat, Room 208 Second Floor, City Hall Building, City Hall Compound, Bgy. Concepcion Pequena, upon payment of the applicable fee for the Bidding Documents.



Republic of the Philippines

Bids and Awards Committee

City of Naga, 4400



Contractors/applicants who wish to participate in this procurement shall submit their Bidder's Registration Form and register at the BAC Secretariat, while those already enrolled shall keep their records current and updated.

Prospective bidders shall present their original official receipt of payment for Bidding Documents (project specific) to the BAC Secretariat before the deadline of bid submission. Only the owner or authorized representative as reflected in the Bidders' Registration will be allowed to transact business relative to the bidding matters. Thus, said owner or representative is required to present two (2) government-issued IDs for identification purposes.

6. The City Government of Naga will hold a Pre-Bid Conference on Friday, November 3, 2023, 3:00PM at the City Procurement Office, Ground Floor, City Hall Building, City Hall Compound, which shall be open to prospective bidders.
7. Bids must be duly received by the BAC Secretariat through manual submission at the City Procurement Office, Ground Floor, City Hall Building, City Hall Compound on or before 9:00AM on Monday, November 20, 2023. Late bids shall not be accepted.
8. All bids must be accompanied by a bid security in any of the acceptable forms and in the amount stated in **ITB** Clause 16.
9. Bid opening shall be on Monday, November 20, 2023, 10:00AM at the City Procurement Office, Ground Floor, City Hall Building, City Hall Compound. Bids will be opened in the presence of the bidders' representatives who choose to attend the activity.
10. Additional information:
 - a) An Annual Registration Fee of Three Thousand (P 3,000.00) Pesos is required.
 - b) Forms in the PBD should be used in submitting proposals and should remain unaltered.
 - c) Prospective Bidders are strongly encouraged to order or download the electronic copy of the Bidding Documents from the PhilGEPS website, for them to be included in the Document Request List (DRL) of the project.
11. The City Government of Naga reserves the right to reject any and all bids, declare a failure of bidding, or not award the contract at any time prior to contract award in accordance with Sections 35.6 and 41 of the 2016 revised Implementing Rules and Regulations (IRR) of RA No. 9184, without thereby incurring any liability to the affected bidder or bidders.



Republic of the Philippines
Bids and Awards Committee
City of Naga, 4400



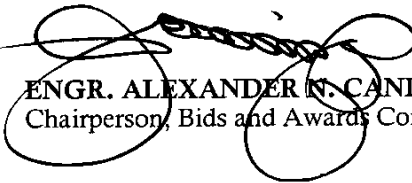
12. For further information, please refer to:

ENGR. ALEXANDER N. CANING

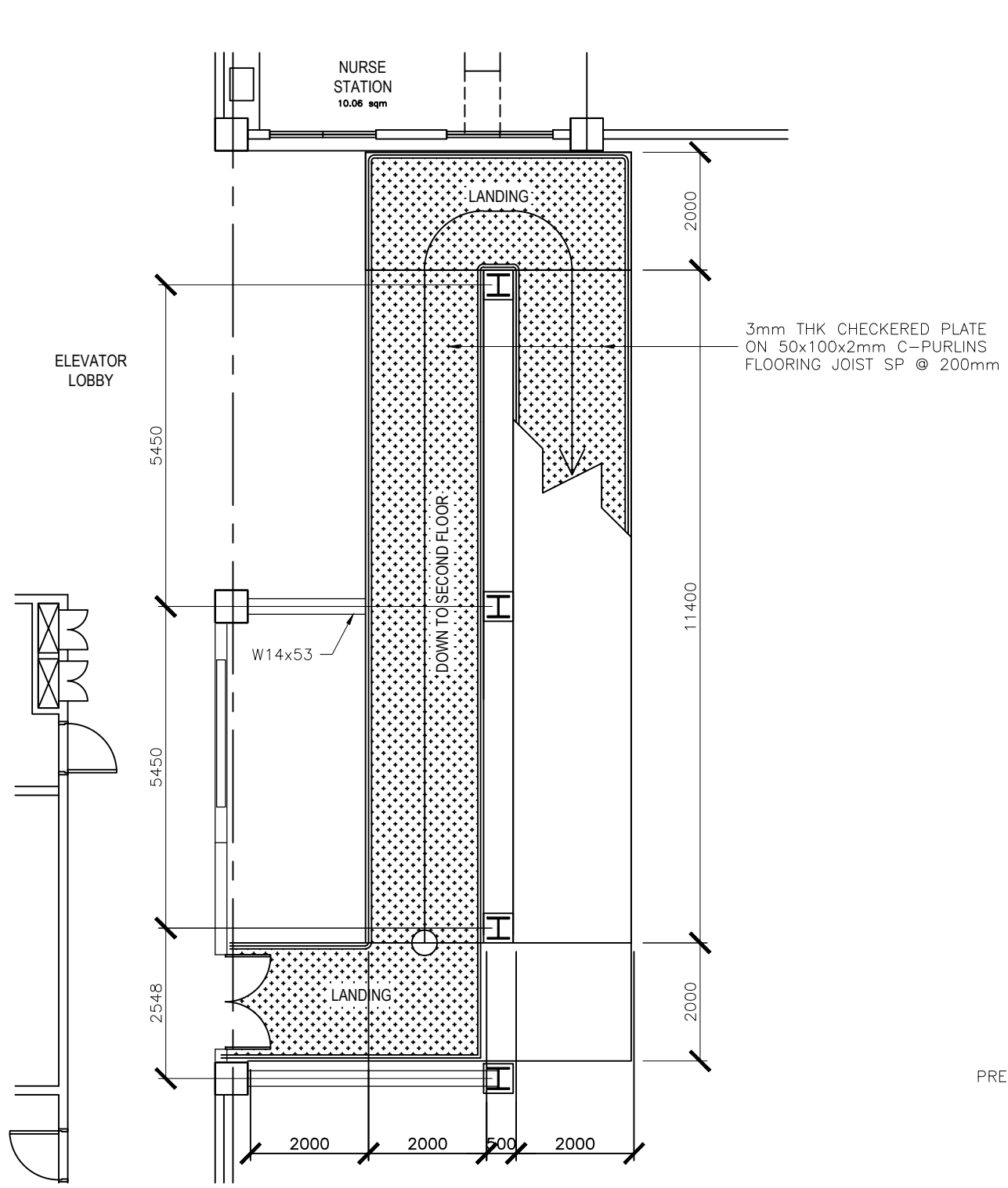
Acting City Engineer, City Engineer's Office
1st Floor City Hall Building, City Hall Compound, J. Miranda Avenue
Concepcion Pequena, Naga City 4400
Mobile Number: +639175801165
Email address: bac@naga.gov.ph/alexandercaning@gmail.com
Website: www.naga.gov.ph

13. For downloading of bidding documents, you may visit the following websites: www.philgeps.gov.ph / www.naga.gov.ph

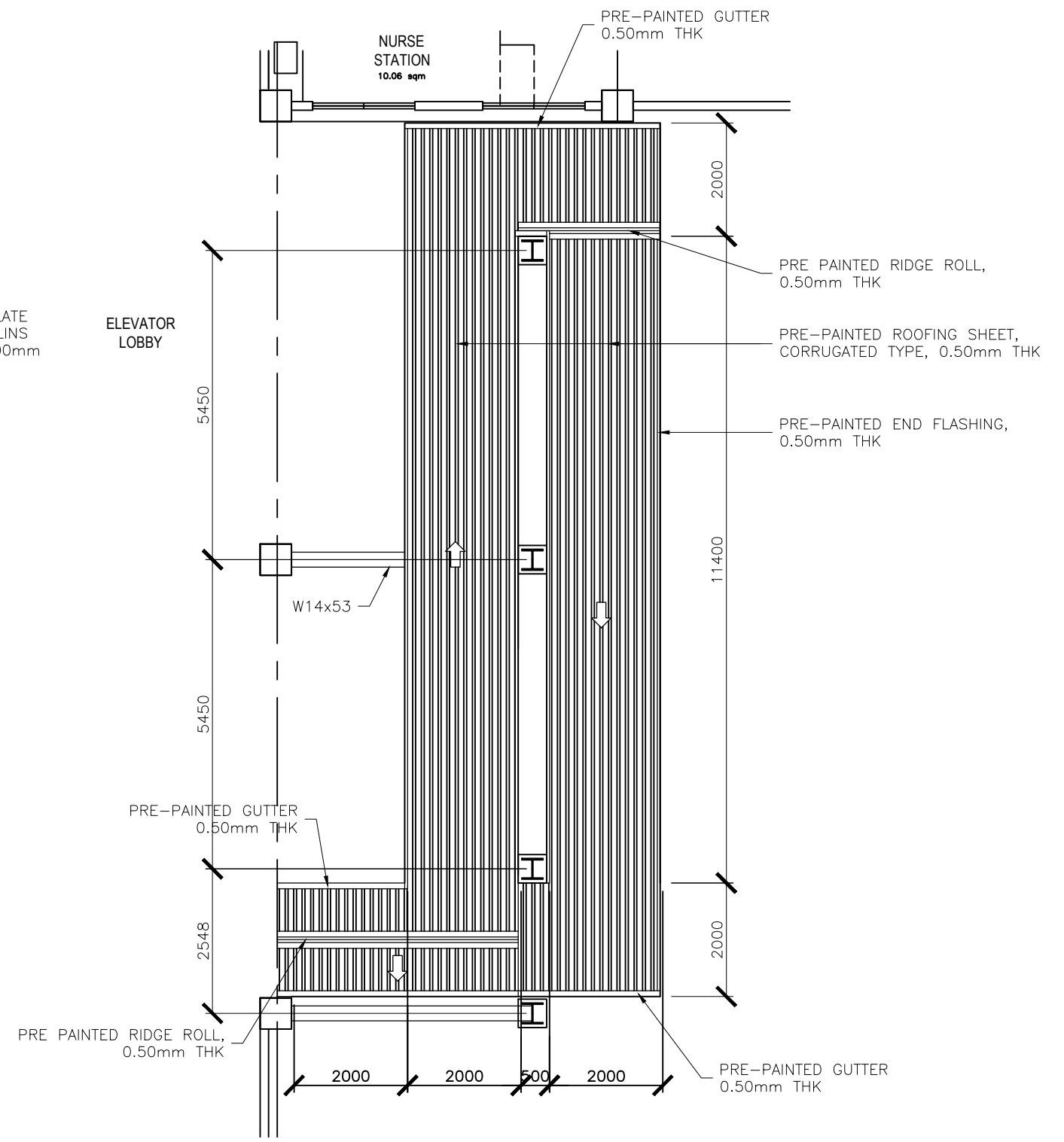
Date of Issue: October 23 to 30, 2023



ENGR. ALEXANDER N. CANING
Chairperson, Bids and Awards Committee

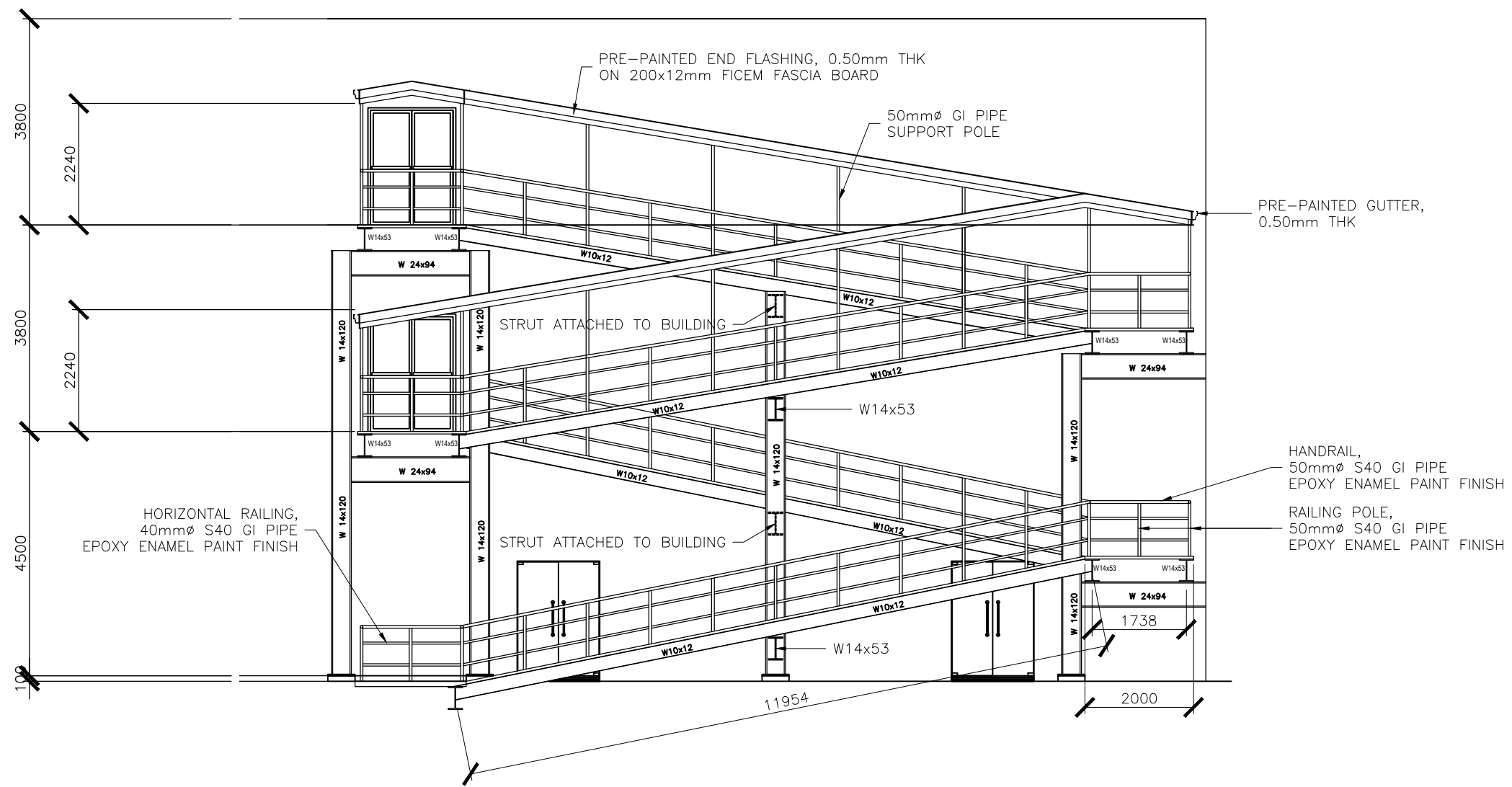


1
A 2
THIRD FLOOR LEVEL
SCALE 1:100m

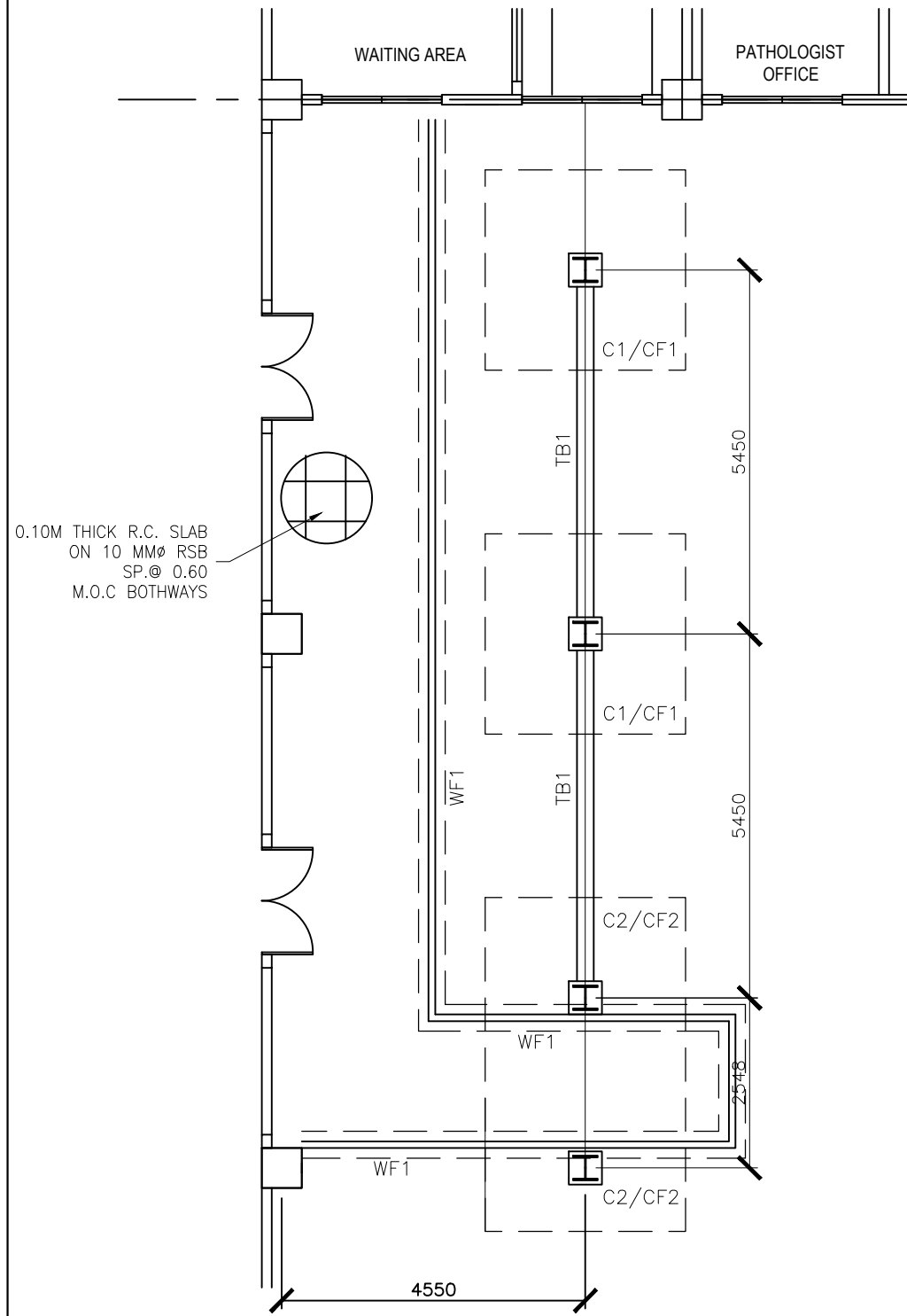


1
A 2
ROOFING PLAN
SCALE 1:100m

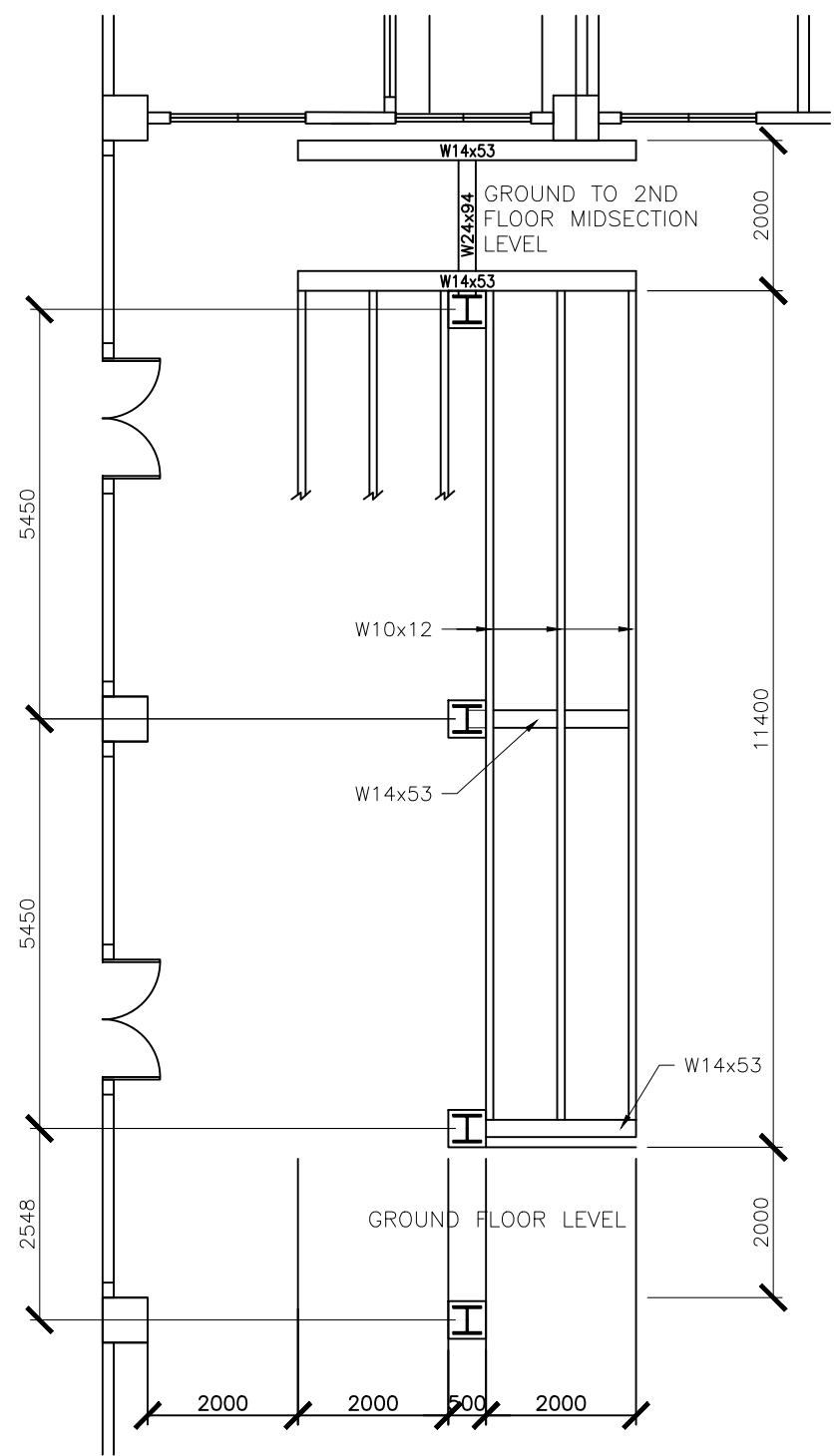
<p>REPUBLIC OF THE PHILIPPINES OFFICE OF THE CITY ENGINEER CITY OF NAGA</p>	<p>PROJECT TITLE</p> <p>PROPOSED NAGA CITY GENERAL HOSPITAL STEEL RAMP</p>	<p>PREPARED BY</p> <p><u>JEMAE S.J. TABINAS</u> ENGINEER II</p>	<p>RECOMMENDED BY</p> <p><u>EMMEL M. ADAQUE</u> ENGINEER III</p>	<p>APPROVED BY</p> <p><u>ALEXANDER N. CANING</u> ACTING CITY ENGINEER</p>	<p>SHEET NO.</p> <p></p>
	<p>LOCATION: NAGA CITY GENERAL HOSPITAL CMPND, BALATAS, N.C.</p>	<p><u>NELSON S. LEGACION</u> CITY MAYOR</p>			



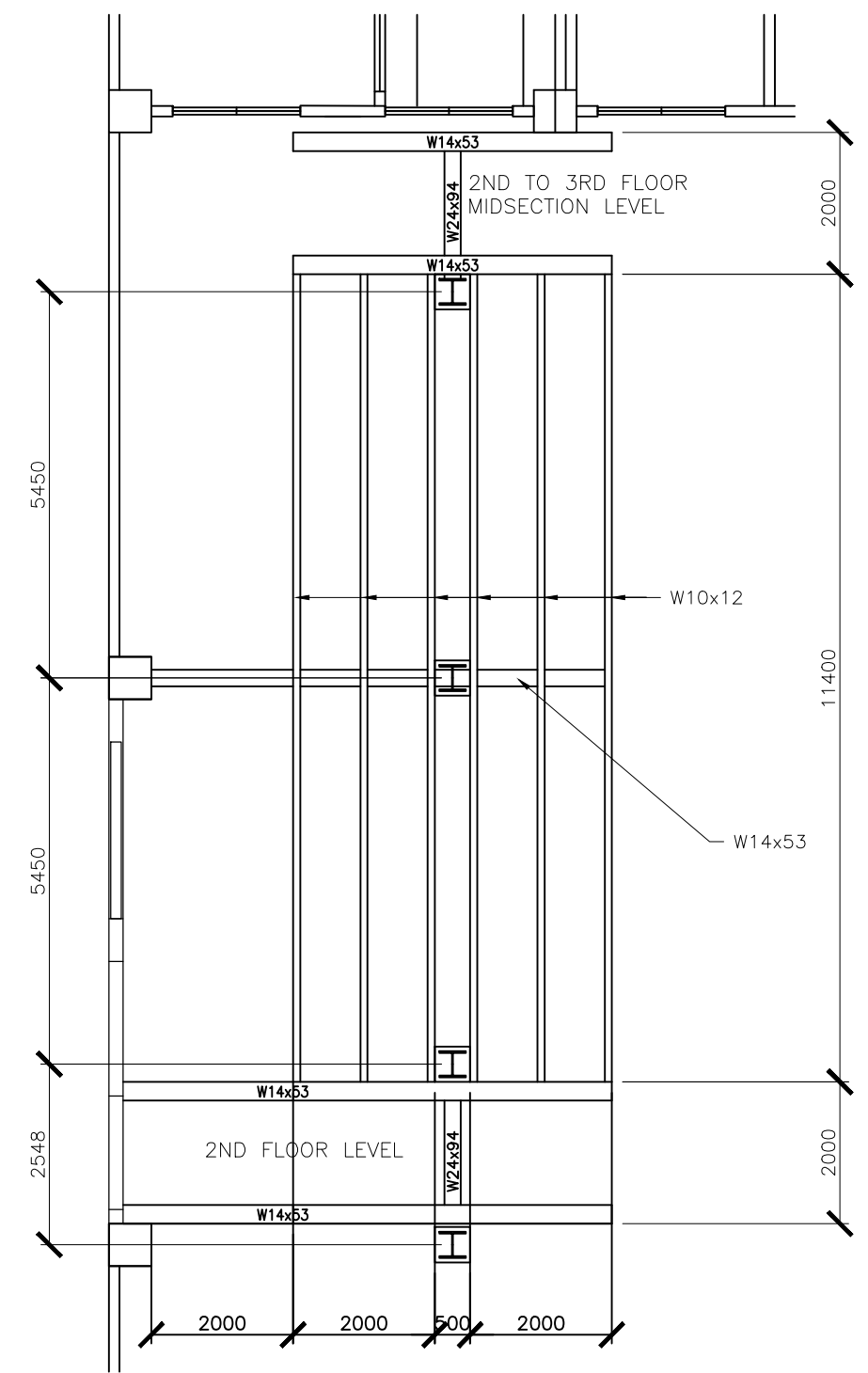
SECTION ELEVATION
SCALE 1:100m



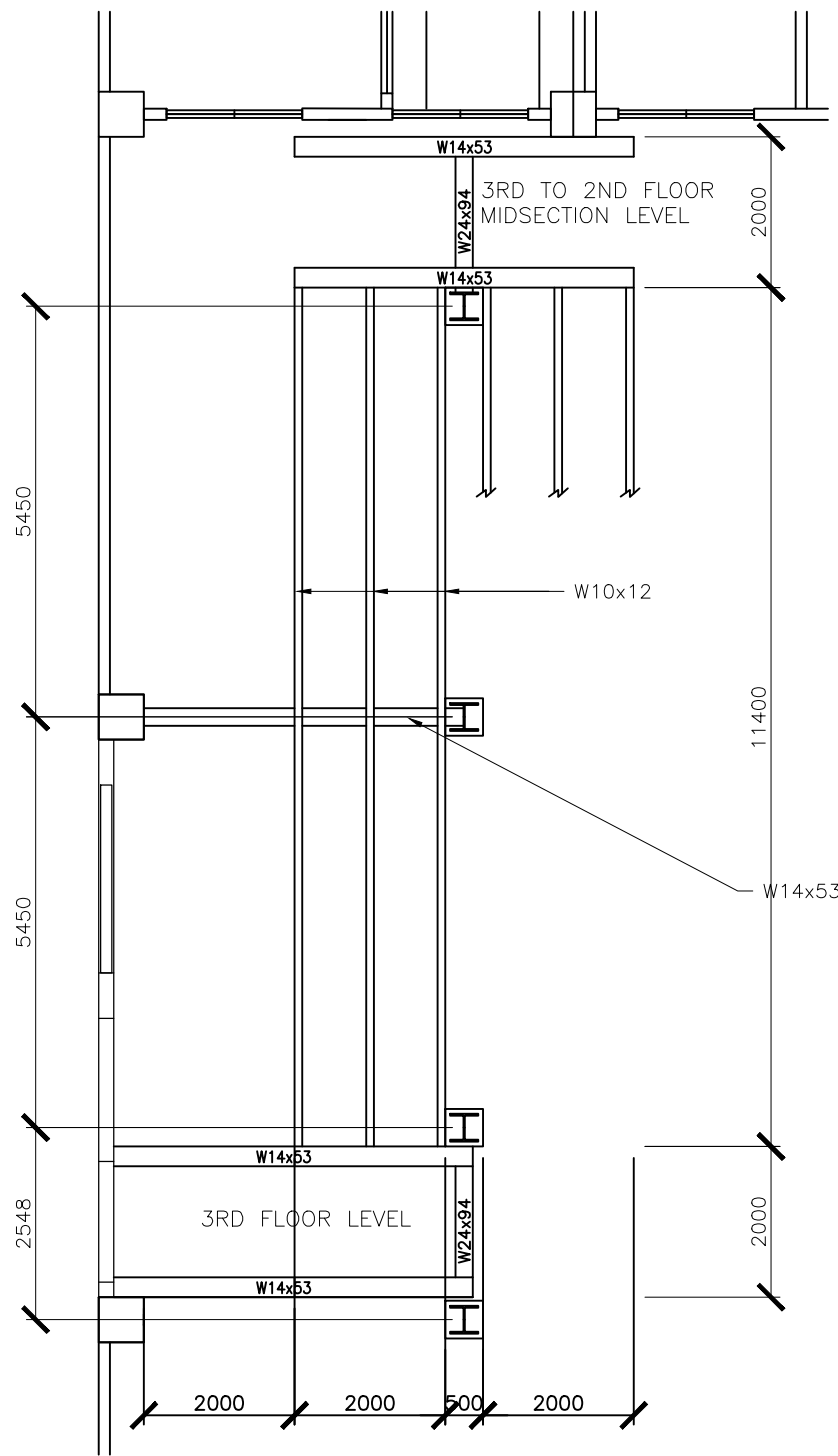
1 FOUNDATION PLAN
S 2 SCALE 1:100m



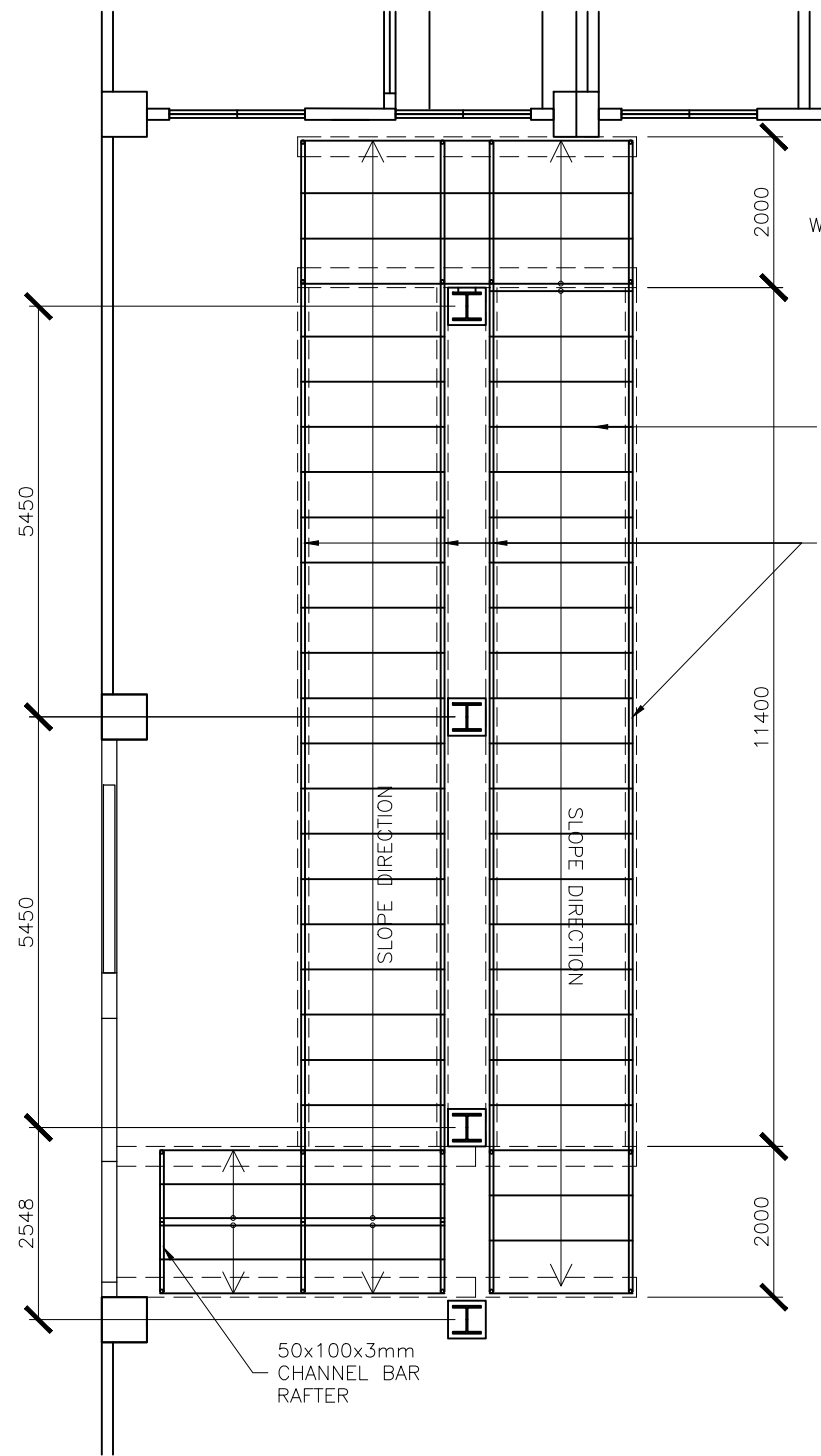
1 GROUND FLOOR FRAME PLAN
A 2 SCALE 1:100m



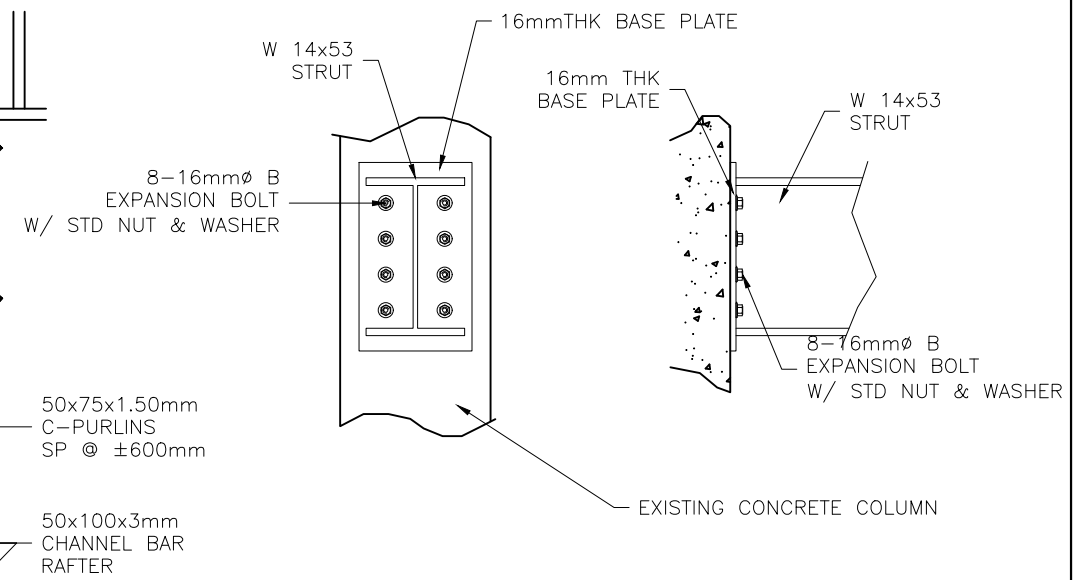
1 2ND FLOOR FRAME PLAN
A 2 SCALE 1:100m



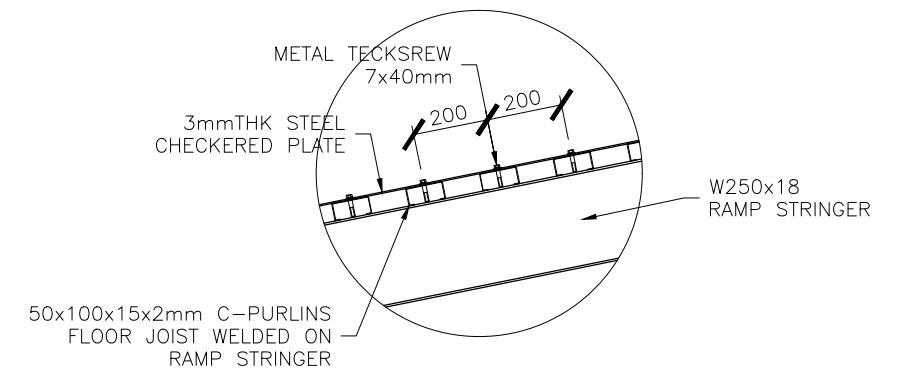
1
A 2 SCALE 1:100m



1
A 2 SCALE 1:100m

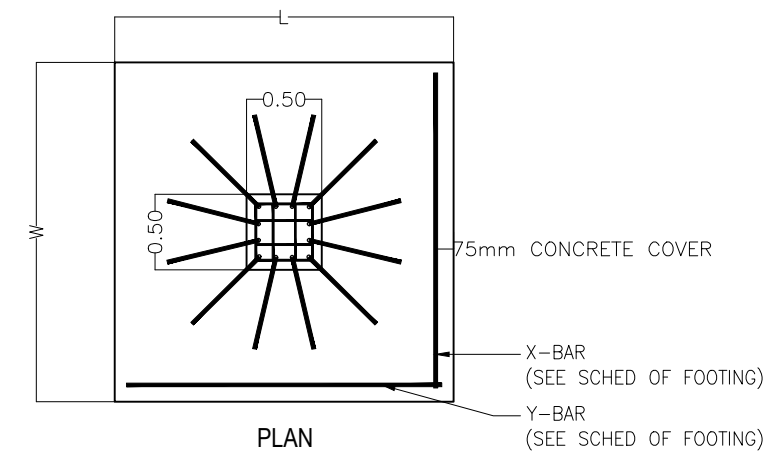
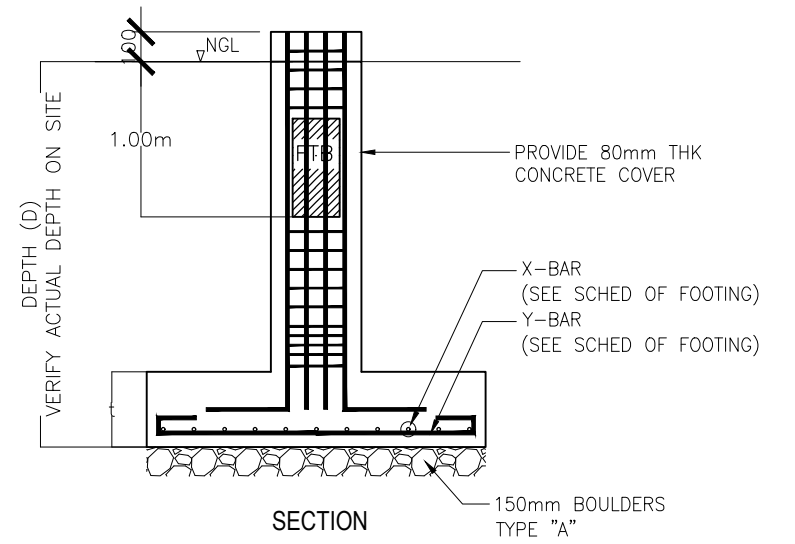


1
A 2 SCALE 1:20m



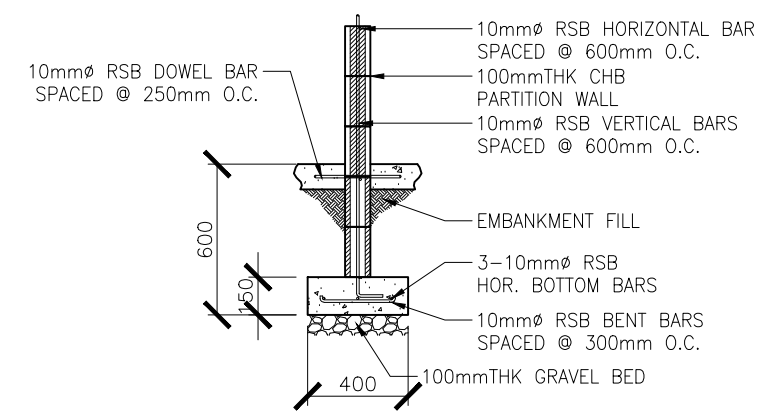
1
A 2 SCALE 1:20m



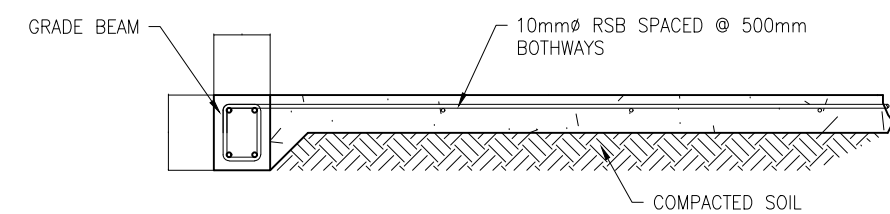


1 S1 TYPICAL FOOTING DETAILS SCALE 1:100m

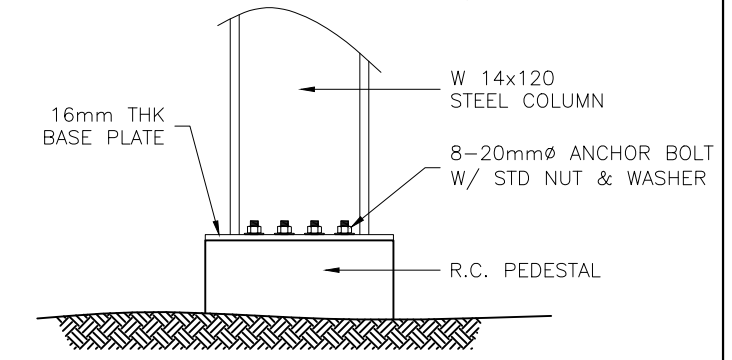
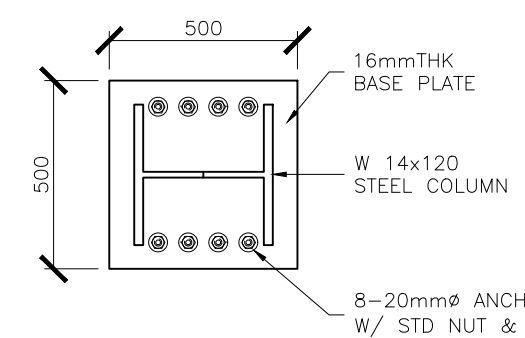
SCHEDULE OF COLUMNS		
MARK	FOOTING TO GRADE BEAM	GRADE BEAM TO ROOF DECK
C1	<p>12-20mm\varnothing RSB MAIN BARS WITH 3 LAYER - 10mm\varnothing RSB TIES SPACED 3 @ 75mm; 3 @ 100mm; 3 @ 150mm REST AT 200mm ON CENTER TO CENTER.</p>	<p>12-20mm\varnothing RSB MAIN BARS WITH 3 LAYER - 10mm\varnothing RSB TIES SPACED 3 @ 75mm; 3 @ 100mm; 3 @ 150mm REST AT 200mm ON CENTER TO CENTER.</p>
C2	<p>12-20mm\varnothing RSB MAIN BARS WITH 3 LAYER - 10mm\varnothing RSB TIES SPACED 3 @ 75mm; 3 @ 100mm; 3 @ 150mm REST AT 200mm ON CENTER TO CENTER.</p>	<p>12-20mm\varnothing RSB MAIN BARS WITH 3 LAYER - 10mm\varnothing RSB TIES SPACED 3 @ 75mm; 3 @ 100mm; 3 @ 150mm REST AT 200mm ON CENTER TO CENTER.</p>



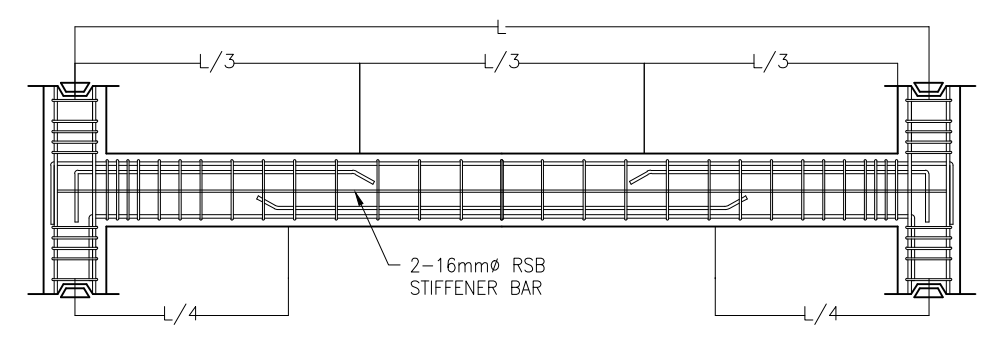
1 S1 DETAIL OF WALL FOOTING SCALE 1:30m



8 S3 DETAIL OF SLAB ON FILL SCALE 1:30m



1 S1 COLUMN ANCHORAGE DET. SCALE 1:20m



6 S3 TYPICAL BEAM ELEVATION SCALE NTS

SCHEDULE OF FOOTINGS							
FOOTING MARK	FOOTING DIMENSIONS (mm)				REINFORCEMENT		REMARKS
	LENGTH (L)	WIDTH (W)	DEPTH (D)	THICKNESS (t)	BAR X	BAR Y	
CF2	5000	3000	2500	500	25-20mm \varnothing	15-20mm \varnothing	RECTANGULAR FOOTING
CF1	3000	3000	2500	500	15-20mm \varnothing	15-20mm \varnothing	SQUARE FOOTING

TIE & GRADE BEAM SCHEDULE											
FLOOR LEVEL	BEAM MARK	BEAM DIMENSIONS (in/mm)		STEEL REINFORCEMENTS						STIRRUPS \varnothing 10mm (UNLESS NOTED OTHERWISE)	
		b	h	REBAR (mm \varnothing)	LEFT		MID SPAN		RIGHT		
FOUNDATION TO GROUND FLOOR LEVEL	TB	250	400	\varnothing 20mm	3	3	3	3	3	3	3@100, 3@150, REST@200