



Republic of the Philippines  
**CITY OF NAGA**  
J. Miranda Ave., Concepcion Pequeña, Naga City 4400  
**BIDS AND AWARDS COMMITTEE (BAC)**



## **BID BULLETIN NO. 1**

6 January 2023

This Bid Bulletin No. 1 is issued to modify or amend items in the Bidding Documents of below indicated projects, to wit:

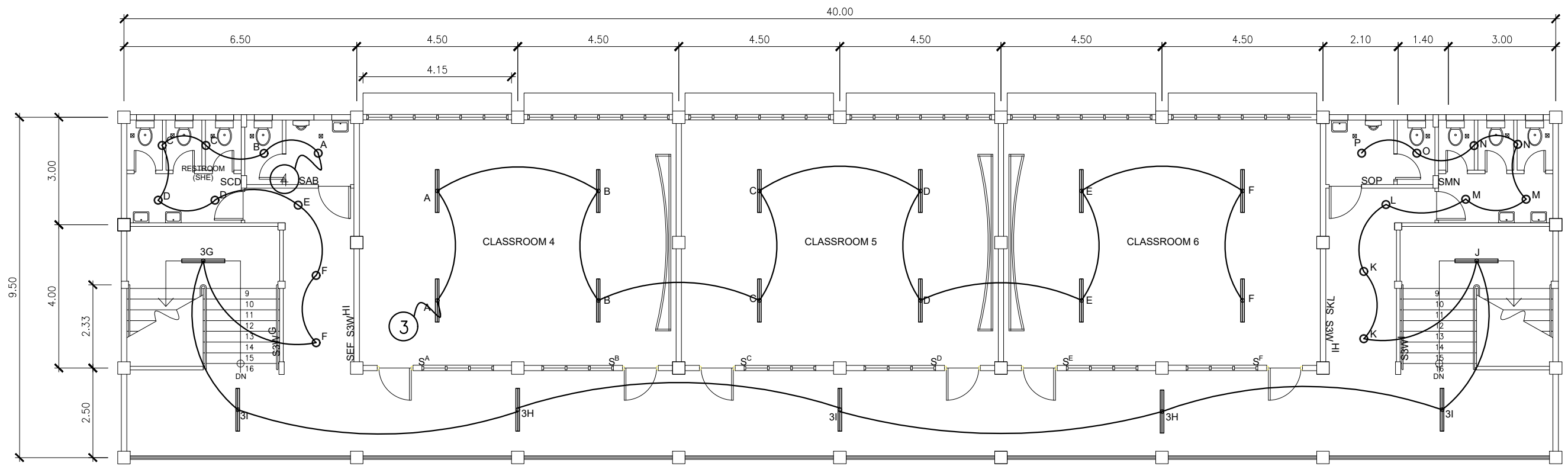
<b>Contract Ref. No.</b>	<b>Name of Project</b>
CRN 008597-2022-09	Construction of 2-storey 6-classroom School Building at Mabolo Integrated High School, Bgy. Mabolo, Naga City

Attached amendments made and edited structural details at Column Footing details (C3F3 & C3F4) and Complete Electrical Plan.

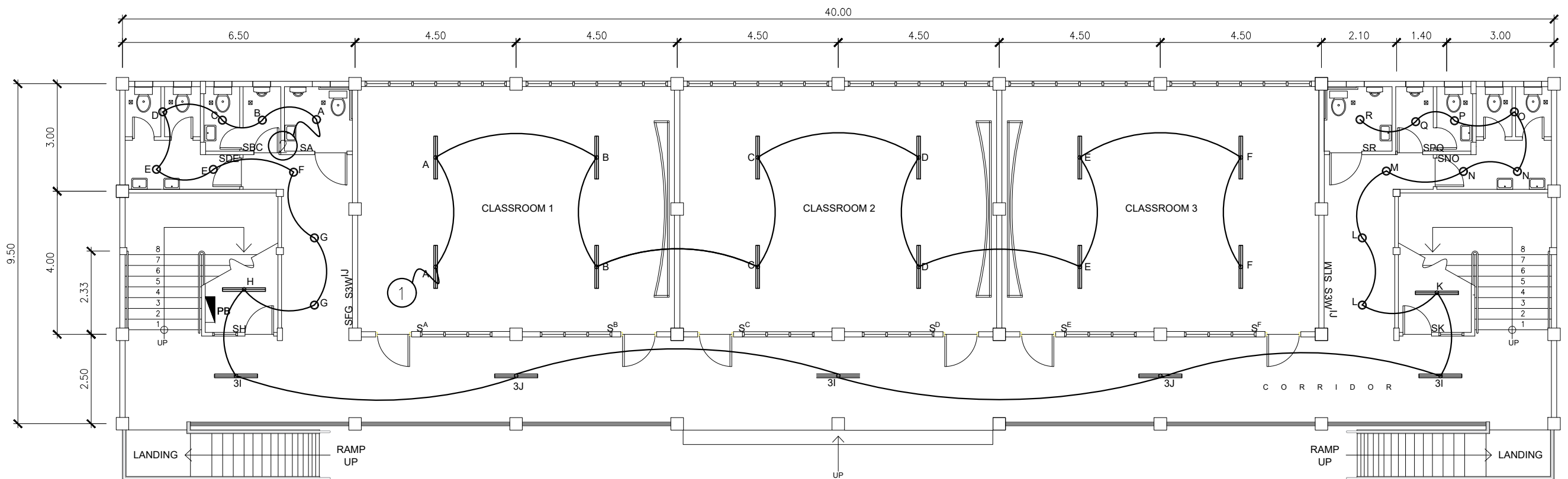
For guidance and information of all concerned.

  
**ENGR. ALEXANDER N. CANING**  
BAC Chairperson

PhilGEPS, Bulletin boards, LGU website

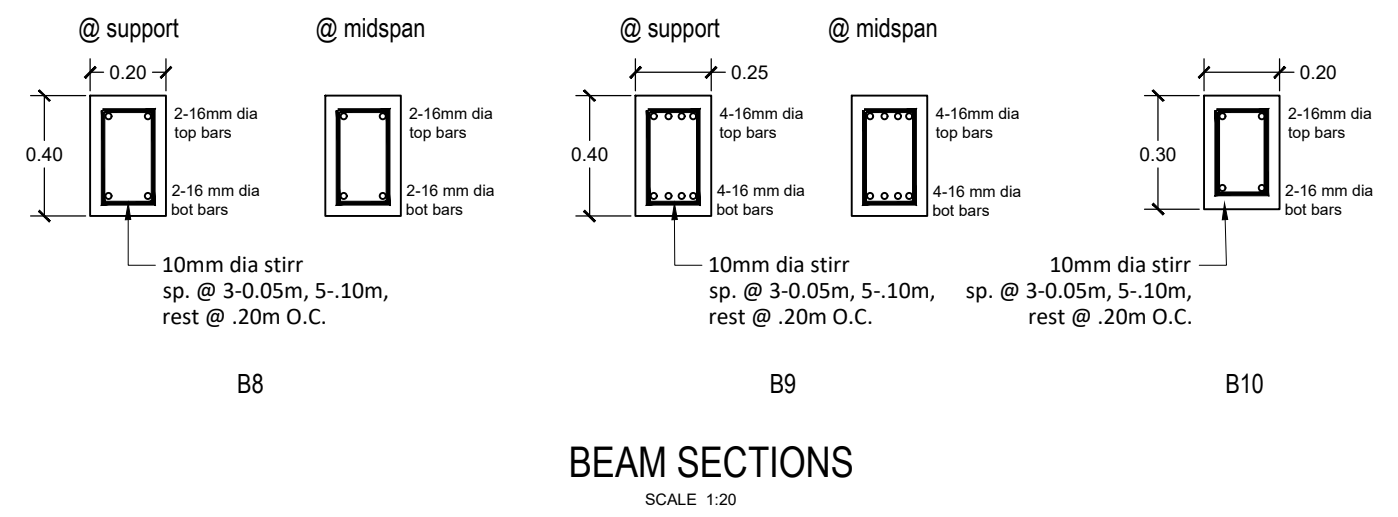
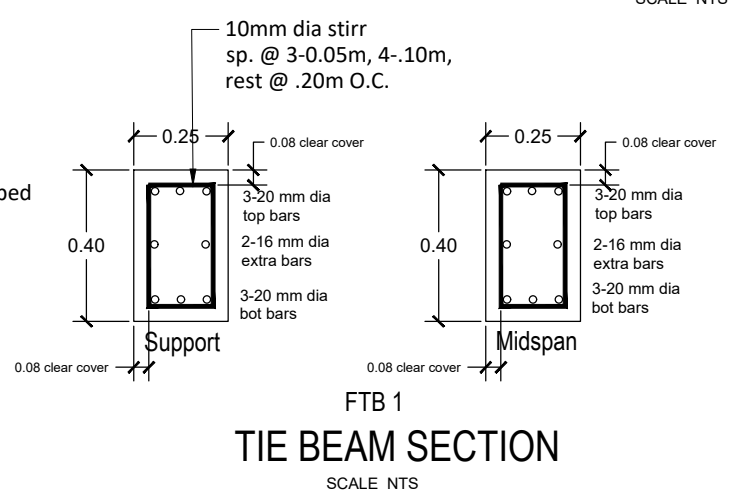
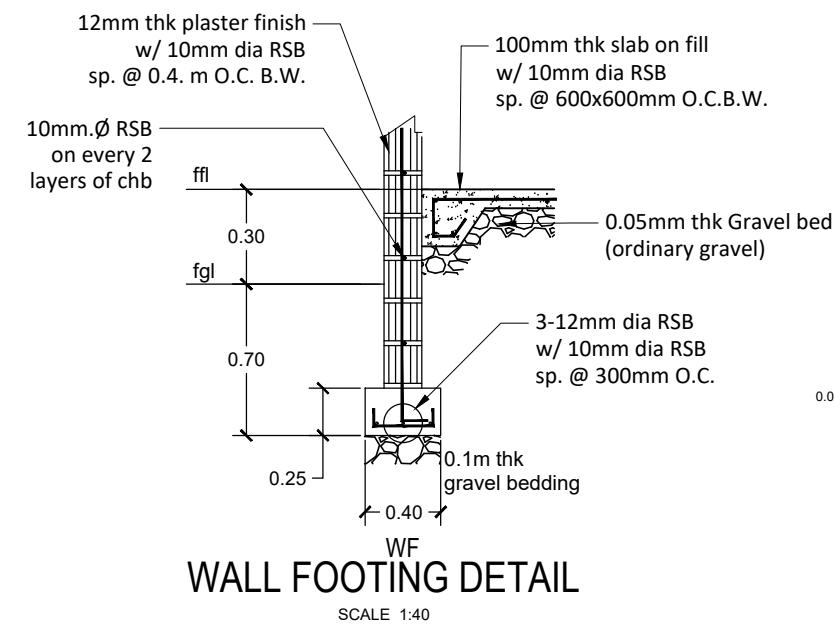
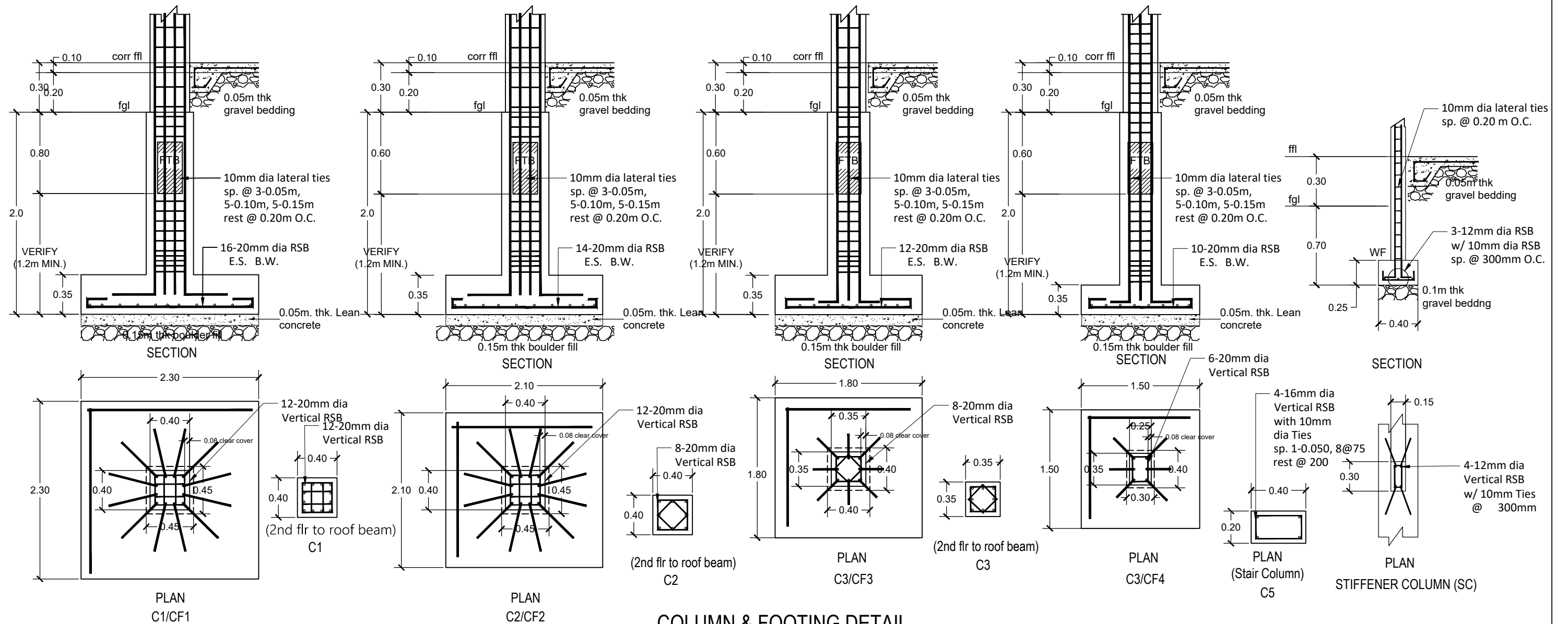


SECOND FLOOR LIGHTING LAYOUT PLAN  
SCALE 1:125MTS

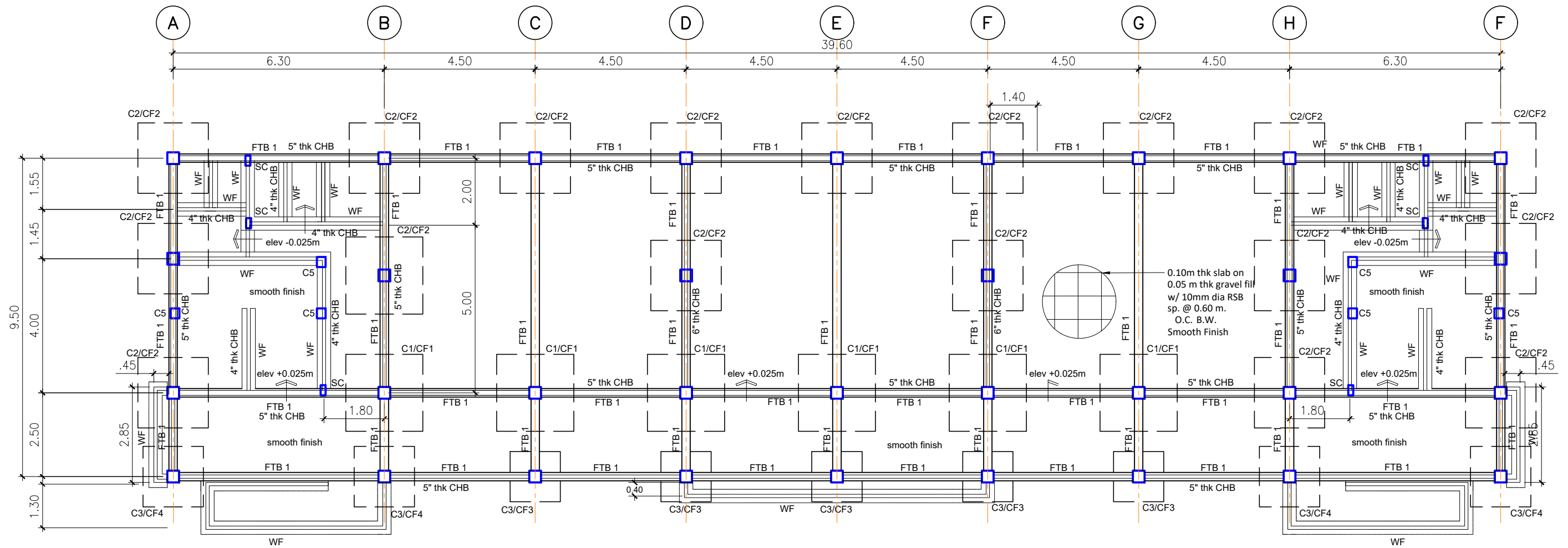


GROUND FLOOR LIGHTING LAYOUT PLAN  
SCALE 1:125MTS

	PROJECT TITLE:	PROJECT ENGINEER:	RECOMMENDING APPROVAL:	CONCURRED BY:	APPROVED BY:	SPECIAL PROJECT TEAM/ PLANNING & DESIGN	SHEET NO.
	<p><b>PROPOSED TWO (2) STOREY, SIX (6)-CLASSROOM, SCHOOL BUILDING</b></p>	JEMAEI S.J. TABINAS ENGINEER II	GREGORY D.L. MORENO ENGINEER III		ALEXANDER N. CANING ACTING CITY ENGINEER	NELSON S. LEGACION CITY MAYOR	E1
	LOCATION: MABOLO INTEGRATED HIGH SCHOOL, BRGY. MABOLO, NAGA CITY						

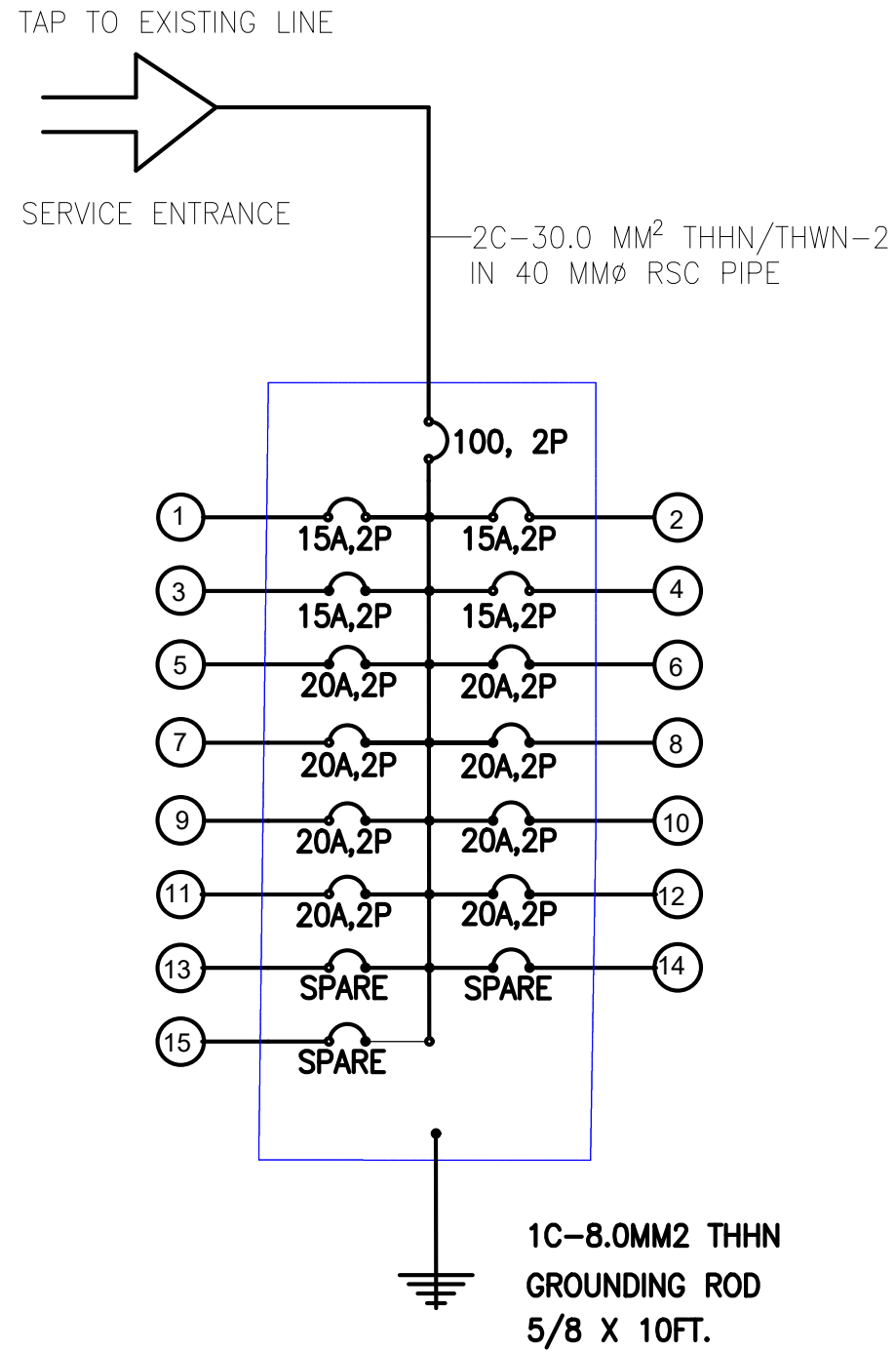


<p>OFFICE OF THE CITY ENGINEER CITY OF NAGA</p>	PROJECT TITLE	PROJECT ENGINEER	RECOMMENDING APPROVAL:	CONCURRED BY:	APPROVED BY:	SPECIAL PROJECT TEAM/ PLANNING & DESIGN	SHEET NO.
	PROPOSED TWO (2) STOREY, SIX (6)-CLASSROOM, SCHOOL BUILDING  LOCATION: MABOLO INTEGRATED HIGH SCHOOL, BRGY. MABOLO, NAGA CITY	JEMAEL S.J. TABINAS ENGINEER II	EMMEL M. ADAQUE ENGINEER III			ALEXANDER N. CANING ACTING CITY ENGINEER	NELSON S. LEGACION CITY MAYOR



**FOUNDATION PLAN**  
 SCALE 1:150M.

 OFFICE OF THE CITY ENGINEER <small>CITY OF NAGA</small>	PROJECT TITLE	PROJECT ENGINEER	RECOMMENDING APPROVAL:	CONCURRED BY:	APPROVED BY:	SPECIAL PROJECT TEAM/ PLANNING & DESIGN	SHEET NO.
	<b>PROPOSED TWO (2) STOREY, SIX (6)-CLASSROOM, SCHOOL BUILDING</b>	<b>JEMAE S.J. TABINAS</b> <small>ENGINEER II</small>	<b>EMMEL M. ADAQUE</b> <small>ENGINEER III</small>	<b>ALEXANDER N. CANING</b> <small>ACTING CITY ENGINEER</small>	<b>NELSON S. LEGACION</b> <small>CITY MAYOR</small>	KIM R. REFUGIO _____ _____ _____	<div style="border: 1px solid black; padding: 2px; display: inline-block;"> <b>S<sub>4</sub></b>  <b>S<sub>11</sub></b> </div>
LOCATION: MABOLO INTEGRATED HIGH SCHOOL, BRGY. MABOLO, NAGA CITY							



**LEGEND**

SYMBOL	DESCRIPTION	SYMBOL	DESCRIPTION
	SERVICE ENTRANCE	S2	TWO GANG SWITCH
	PANEL BOARD	S3	THREE GANG SWITCH
	KWH METER		CIRCUIT HOMERUN
	CIRCUIT BREAKER		POWER LINE
	CIRCULAR FLOURESCENT LAMP		REFRIGERATOR
	SMALL APPLIANCE LOAD		SWITCH LINE
S1	SINGLE POLE SWITCH		CONVENIENCE POWER LINE

SINGLE LINE DIAGRAM  
NOT TO SCALE

<p>OFFICE OF THE CITY ENGINEER CITY OF NAGA</p>	PROJECT TITLE:	PROJECT ENGINEER:	RECOMMENDING APPROVAL:	CONCURRED BY:	APPROVED BY:	SPECIAL PROJECT TEAM/ PLANNING & DESIGN	SHEET NO.
	<p>PROPOSED TWO (2) STOREY, SIX (6)-CLASSROOM, SCHOOL BUILDING</p> <p>LOCATION: MABOLO INTEGRATED HIGH SCHOOL, BRGY. MABOLO, NAGA CITY</p>	<p>JEMAE S.J. TABINAS ENGINEER II</p>	<p>GREGORY D.L. MORENO ENGINEER III</p>		<p>ALEXANDER N. CANING ACTING CITY ENGINEER</p>	<p>NELSON S. LEGACION CITY MAYOR</p>	

**SPECIFICATION:**

1. ALL INSTALLATION SHALL BE IN COMPLIANCE TO P.E.C AND LOCAL ORDINANCES.
2. ALL INTERIOR CONDUITS SHALL BE PNS 14.
3. ALL CONDUITS ENTERING JUNCTION BOXES, PULL BOXES, AUXILLIARY GUTTER, PANEL BOARDS AND OTHER METAL BOXES SHALL BE TERMINATED IN APPROVED TYPE ADAPTORS.
4. ALL LIGHTING FIXTURES SHALL BE GROUNDED AS REQUIRED BY ARTICLE 4.10 OF P.E.C. USE ADDITIONAL INSULATORS FOR TERMINATION AS NECESSARY.
5. ALL JUNCTION AND UTILITY BOXES SHALL BE METAL GAUGE 16, HOT DIP GALVANIZED.
6. CLEARANCES OF TERMINAL FROM ALL METAL PARTS SHALL BE OBTAINED.
7. BENDING RADIUS OF CONDUCTOR SHALL BE COMPLIANT TO P.E.C
8. DERATING OF CONDUCTOR SHALL BE APPLIED FOR MORE THAN FOUR (4) CONDUCTORS IN CONDUITS OR WIRE WAYS.
9. ALL INSTALLATIONS SHALL BE UNDER SUPERVISION OF LICENSE ELECTRICAL PRACTITIONERS.
10. PANEL BOXES AND AUXILLIARY GUTTERS SHALL BE MADE OF 1.5mm G.I POWDER COATED OR ENAMEL FINISHED OVER APPROVED METAL PRIMER.
11. ALL GROUNDING CONDUCTOR, GROUNDING ROD, SHALL BE BONDED TOGETHER.

**SCHEDULE OF LOAD: PB- PROPOSED 6 CLASSROOM BLDG.**

CKT. NO.	LOAD DESCRIPTION	NO.OF			SWITCHES				AMP.			V	VA	CB	SIZE OF WIRE		
		LO	CO	OTHERS	S1	S2	S3	S3W	AB	BC	CA				AMP.	WIRE	CONDUIT
1	2-18 WATTS LED T5 (LOUVER)	12	SETS		6							1.87	230	432	15,2P	2C-2.0MM2 THHN/THWN WIRE-2 1C-2.0MM2 THHN/THWN WIRE	20MMØ UPVC PIPE
2	2-18 WATTS LED T5 (LOUVER) LED BULB 9WATTS	7	SETS		4	6		2				1.8	230	414	15,2P	2C-2.0MM2 THHN/THWN WIRE-2 1C-2.0MM2 THHN/THWN WIRE	20MMØ UPVC PIPE
3	2-18 WATTS LED T5 (LOUVER)	12	SETS		6							1.87	230	432	15,2P	2C-2.0MM2 THHN/THWN WIRE-2 1C-2.0MM2 THHN/THWN WIRE	20MMØ UPVC PIPE
4	2-18 WATTS LED T5 (LOUVER) LED BULB 9WATTS	7	SETS			6		4				1.8	230	414	15,2P	2C-2.0MM2 THHN/THWN WIRE-2 1C-2.0MM2 THHN/THWN WIRE	20MMØ UPVC PIPE
5	DUPLEX CONV. OUTLET WALL FAN OUTLET		5									7.04	230	1620	20,2P	2C-3.5MM2 THHN/THWN WIRE-2 1C-2.0MM2 THHN/THWN WIRE	20MMØ UPVC PIPE
6	DUPLEX CONV. OUTLET WALL FAN OUTLET		4									6.26	230	1440	20,2P	2C-3.5MM2 THHN/THWN WIRE-2 1C-2.0MM2 THHN/THWN WIRE	20MMØ UPVC PIPE
7	DUPLEX CONV. OUTLET WALL FAN OUTLET		5									7.04	230	1620	20,2P	2C-3.5MM2 THHN/THWN WIRE-2 1C-2.0MM2 THHN/THWN WIRE	20MMØ UPVC PIPE
8	EMERGENCY LIGHT		2									1.56	230	360	20,2P	2C-3.5MM2 THHN/THWN WIRE-2 1C-2.0MM2 THHN/THWN WIRE	20MMØ UPVC PIPE
9	DUPLEX CONV. OUTLET WALL FAN OUTLET		4									6.26	230	1440	20,2P	2C-3.5MM2 THHN/THWN WIRE-2 1C-2.0MM2 THHN/THWN WIRE	20MMØ UPVC PIPE
10	DUPLEX CONV. OUTLET WALL FAN OUTLET		4									6.26	230	1440	20,2P	2C-3.5MM2 THHN/THWN WIRE-2 1C-2.0MM2 THHN/THWN WIRE	20MMØ UPVC PIPE
11	DUPLEX CONV. OUTLET WALL FAN OUTLET		4									6.26	230	1440	20,2P	2C-3.5MM2 THHN/THWN WIRE-2 1C-2.0MM2 THHN/THWN WIRE	20MMØ UPVC PIPE
12	FIRE ALARM SYSTEM			4								1.04	230	240	20,2P	2C-3.5MM2 THHN/THWN WIRE-2 1C-2.0MM2 THHN/THWN WIRE	20MMØ UPVC PIPE
13	S P A R E											6.52	230	1500			
14	S P A R E											6.52	230	1500			
15	S P A R E											6.52	230	1500			
	<b>T O T A L</b>	112	52	4	16	12		6				68.62	230	15,792	100,2P	2C-30.0MM2 THHN/THWN WIRE-2 1C-8.0MM2 THHN/THWN WIRE	40MMØ UPVC PIPE


**A.COMPUTATION OF SERVICE CONDUCTOR**

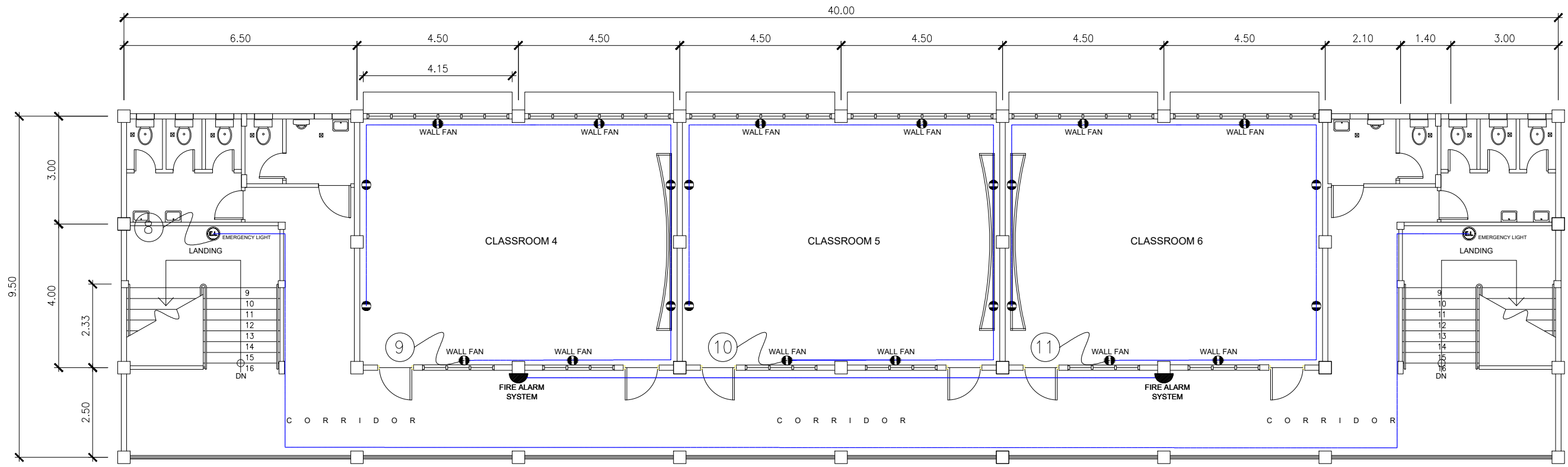
$$IT = 15,972 / 230 \text{ V} \times 100\% \text{ DF.}$$

$$= \underline{68.66 \text{ AMP.}}$$

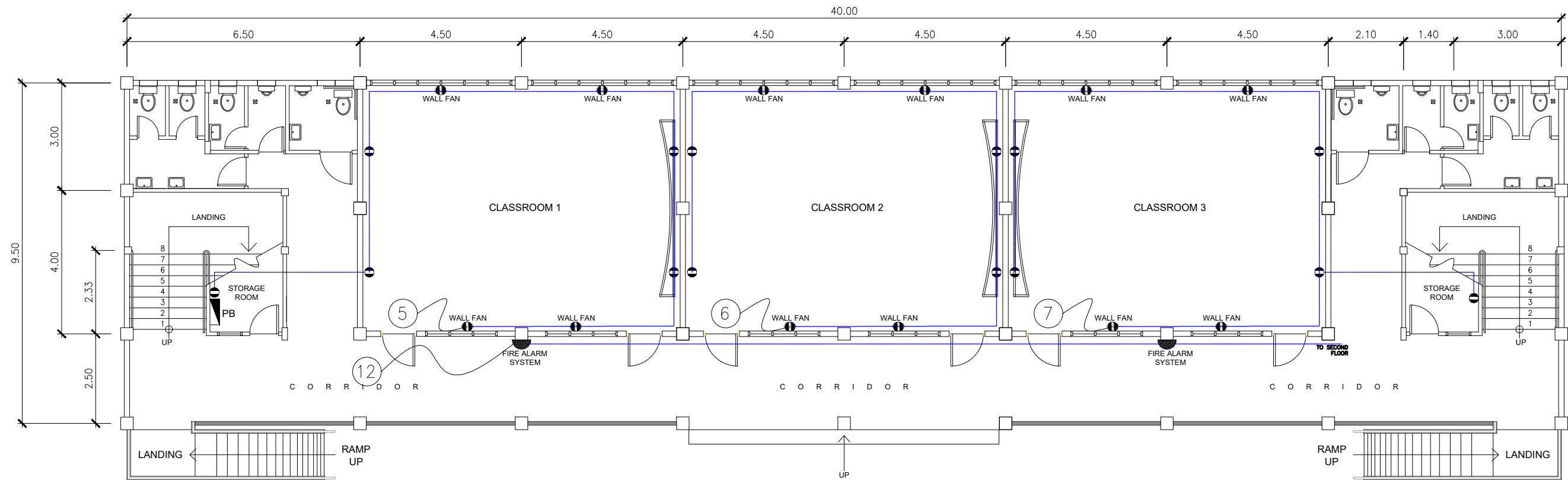
**B. FOR MAIN CIRCUIT PROTECTION**

USE : 100 ,2P MCB, BOLT IN  
230 V, 60 HZ


	PROJECT TITLE:	PROJECT ENGINEER:	RECOMMENDING APPROVAL:	CONCURRED BY:	APPROVED BY:	SPECIAL PROJECT TEAM/ PLANNING & DESIGN	SHEET NO.
	PROPOSED TWO (2) STOREY, SIX (6)-CLASSROOM, SCHOOL BUILDING  LOCATION: MABOLO INTEGRATED HIGH SCHOOL, BRGY. MABOLO, NAGA CITY	JEMAEI S.J. TABINAS ENGINEER II	GREGORY DL. MORENO ENGINEER III			ALEXANDER N. CANING ACTING CITY ENGINEER	NELSON S. LEGACION CITY MAYOR



**SECOND FLOOR POWER LAYOUT PLAN**  
SCALE 1:125MTS



**GROUND FLOOR POWER LAYOUT PLAN**  
SCALE 1:125MTS

 <p>OFFICE OF THE CITY ENGINEER CITY OF NAGA</p>	<p>PROJECT TITLE: <b>PROPOSED TWO (2) STOREY, SIX (6)-CLASSROOM, SCHOOL BUILDING</b></p>	<p>PROJECT ENGINEER: <b>JEMAEI S.J. TABINAS</b> ENGINEER II</p>	<p>RECOMMENDING APPROVAL: <b>GREGORY DL. MORENO</b> ENGINEER III</p>	<p>CONCURRED BY:</p>	<p>APPROVED BY: <b>ALEXANDER N. CANING</b> ACTING CITY ENGINEER</p>	<p><b>NELSON S. LEGACION</b> CITY MAYOR</p>	<p>SPECIAL PROJECT TEAM/ PLANNING &amp; DESIGN</p>	<p>SHEET NO. <b>E2</b></p>
	<p>LOCATION: MABOLO INTEGRATED HIGH SCHOOL, BRGY. MABOLO, NAGA CITY</p>							