



Republic of the Philippines  
**CITY OF NAGA**  
J. Miranda Ave., Concepcion Pequeña, Naga City 4400  
**BIDS AND AWARDS COMMITTEE (BAC)**

## BID BULLETIN NO. 1

14 September 2022

This Bid Bulletin No. 1 is issued to modify or amend items in the Bidding Documents of below indicated procurement, to wit:

<b>Contract Ref. No.</b>	<b>Name of Project</b>
2022-030	Additional CCTV Surveillance Infrastructure of Naga City (1 Lot)

Following are amendments and modifications made:

1. The product/model of PTZ and bullet camera must not be earlier than year 2019. As supporting document, a manufacturer's certificate will form part of the technical document envelope.
2. Outdoor cameras and accessories must be IP67 rated.
3. Data cabinet exact specifications are as follows (also refer to attached pictures as guide):

Condition	New, <b>factory-fabricated</b>
Mounting	Pole
IP Rating	IP55
Dimensions	600mmW x 400mmD x 12U
Material	Rust Proof; Galvanized Metal
<b>Features</b>	Cable management rings pre-installed
	Adjustable mounting rails front and rear with RU markings
	At least 2 fans
	Rain hood included
	Round cable glands with removable rubber covers on base
	Replaceable filter
	Vented front door with 3 point locking system
	Temperature hardened
	Designed for harsh outdoor environments
	Wind driven rain resistant
	Protection against corrosion

4. Data cabinets are to be installed by the winning bidder in 21 new sites. The other 6 are to be installed by the City Government in its existing CCTV sites.
5. As a clarification to the Notes/Special Conditions, cameras will be accessed over the Internet, using telco fiber facilities. CVSS, thus, must be able to control and access existing **and new** cameras over the Internet connected behind DSL router. Equipment must work in the existing network system.
6. Contract duration is herein amended to 75 days from the issuance of the Notice to Proceed.

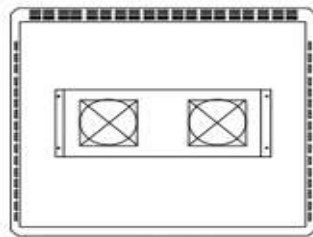
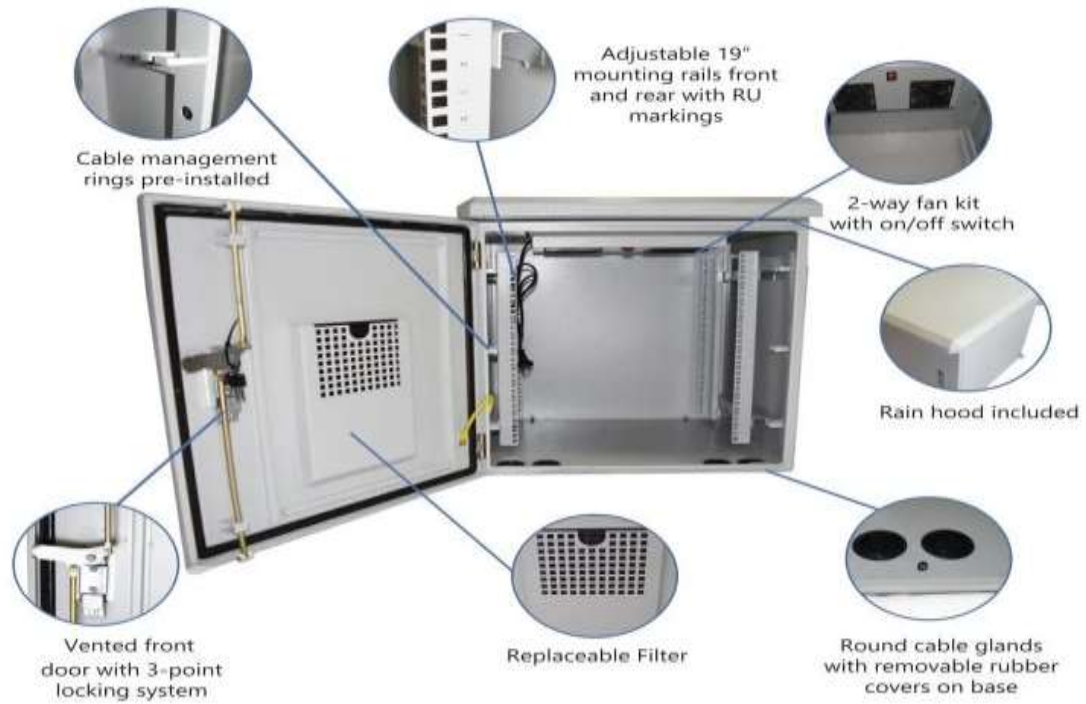
The Terms of Reference (TOR) can be downloaded at the PhilGEPS portal. For further queries, interested bidder may contact Mr. Reuel M. Oliver, Head-I.T. Office at 0918-909-9783.

For guidance and information of all concerned.

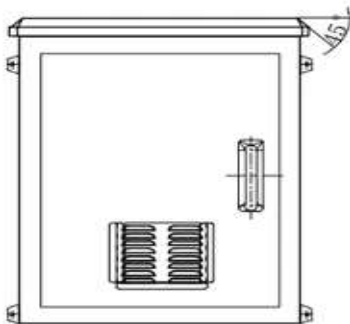


**ENGR. ALEXANDER N. CANING**  
BAC Chairperson

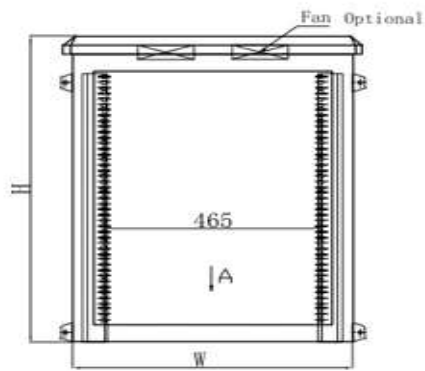
## DATA CABINET SPECIFICATIONS



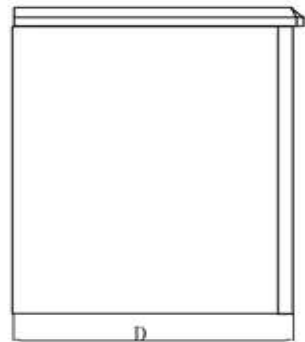
Top View



Front View



Front Open Door View



Side View